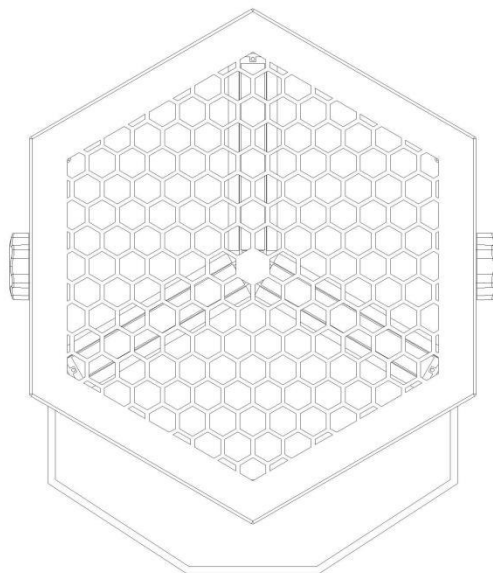




## **SL HEXALED L RGB**

### User Manual



# Contents

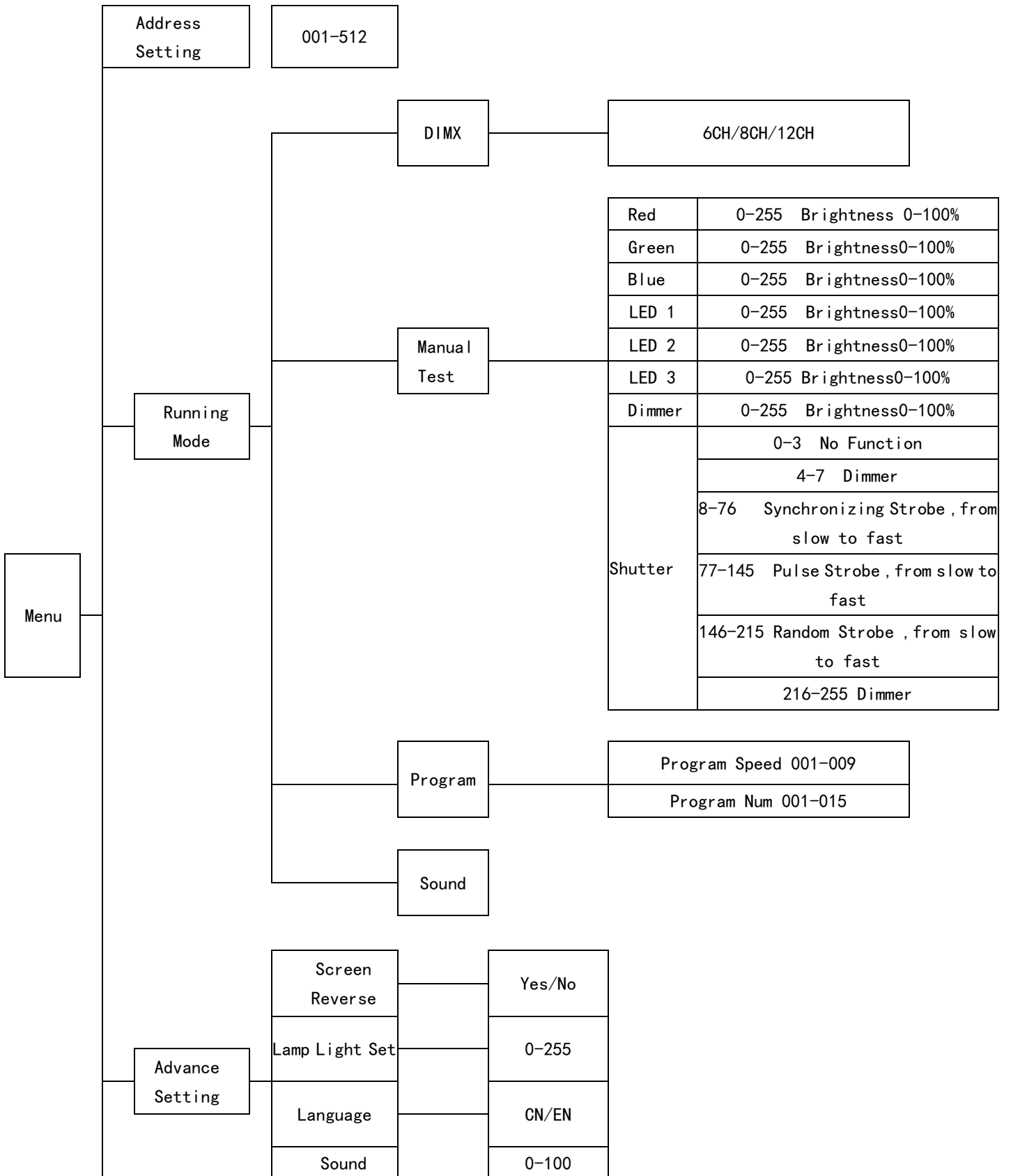
1. Safety Instruction .....	3
2. Function Menu.....	4
3. Function Operation .....	5
4. Channel Function .....	6
5. Pixel Control .....	8
6. Product Dimension Drawing.....	9
7. Technical Parameter .....	10

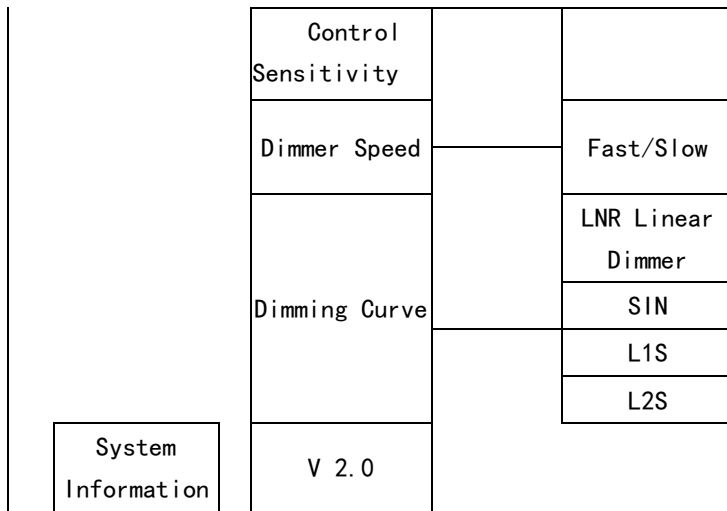
## Safety Notes

Note : To ensure reasonable consistency of operation, please read this instruction carefully. Any damages caused by the non-observance of this manual or any unauthorized modification to this product are not be subject to warranty .

1. This product belongs to high temperature products. Do not touch the lamp body when working, carefully scalds!
2. Maintain a 50CM space at the back of the lamp body for dissipate heat.
3. When installing/replacing the lamp tube, turn off the lamp power!
4. This lamp is used for indoor lighting, not waterproof ! When lamp works, lamp tube at high temperature.
5. Make sure the voltage and frequency of power supply match the power require of this devise.
6. Please do not operate the equipment in the condition of wire damage or wear.
7. Do not remove any part of the equipment during the use of lamps.
8. Any unauthorized modification to this product are not be subject to warranty .

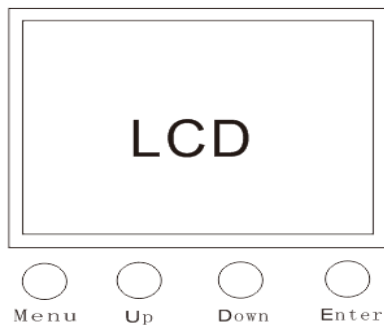
# Function Menu





## Function Operation

Keys diagram



### 2.1 built-in program Automatic function

1. Select the working mode menu.
2. Select automatic mode.
3. Choose one of Fifteen programs.
4. Setting program speed.

### 2.2 manual mode function

The manual mode function is consistent with the Pixel control 12CH channel but in manual mode DMX address is not working in that condition . The 12 sub-menus correspond to three functions .

### 2.3 Sound control function

1. Select the working mode menu.
2. Select automatic mode. Because sound control is based on the automatic program, so

you need to choose the automatic program before you turn on the sound control .

3. Choose one of nine programs .
4. Select the working mode menu.
5. Select sound control mode.
6. Set the sound control sensitivity. From 16 to 255 sound control will not work. From 16 to 255 sound control will more and more sensitive .

## Channel Function

### DMX 512 function

1. Select the working mode menu.
2. Select DMX mode (6/8/12CH) .
3. Set to 1 channel mode.
4. Exit the working mode menu, select the DMX menu, and set the DMX menu address. The DMX address can be set to 001.

### 6CH DMX general function

1. Select the working mode menu.
2. Select DMX mode.
3. Set to 6 channel mode.
4. Exit the working mode menu, select the DMX menu, and set the DMX menu address. The DMX address can be set to 001

Channel	Function	From	To	Feature
1	Red	0		No function
		1	255	Red 1—100%
2	Green	0		No function
		1	255	Green 1—100%
3	Blue	0		No function
		1	255	Blue 1—100%
4	LED1	0		No function
		1	255	Brightness 1—100%
5	LED2	0		No function
		1	255	Brightness 1—100%
6	LED3	0		No function
		1	255	Brightness 1—100%

### 8CH DMX Pixel Control function

1. Select the working mode menu.
2. Select DMX mode.
3. Set to 8 channel mode.
4. Exit the working mode menu, select the DMX menu, and set the DMX menu address.  
The DMX address can be set to 001.

Channel	Function	From	To	Feature
1	Red	0		No function
		1	255	Red 1—100%
2	Green	0		No function
		1	255	Green 1—100%
3	Blue	0		No function
		1	255	Blue 1—100%
4	LED1	0		No function
		1	255	Brightness 1—100%
5	LED2	0		No function
		1	255	Brightness 1—100%
6	LED3	0		No function
		1	255	Brightness 1—100%
7	Dimmer	0	255	Brightness 1—100%
8	Strobe	0	3	No function
		4	7	Dimmer
		8	76	Synchronizing strobe; Strobe from slow to fast
		77	145	Pulse strobe ; Strobe from slow to fast
		146	215	Random strobe ; strobe from slow to fast
		216	255	Dimmer

**Note:Dimmer need to be on 7CH (Dimmer) and 8CH (Strobe) at the same time.**

## 12CH DMX Pixel Control function

1. Select the working mode menu.
2. Select DMX mode.
3. Set to 12 channel mode.
4. Exit the working mode menu, select the DMX menu, and set the DMX menu address.  
The DMX address can be set to 001.

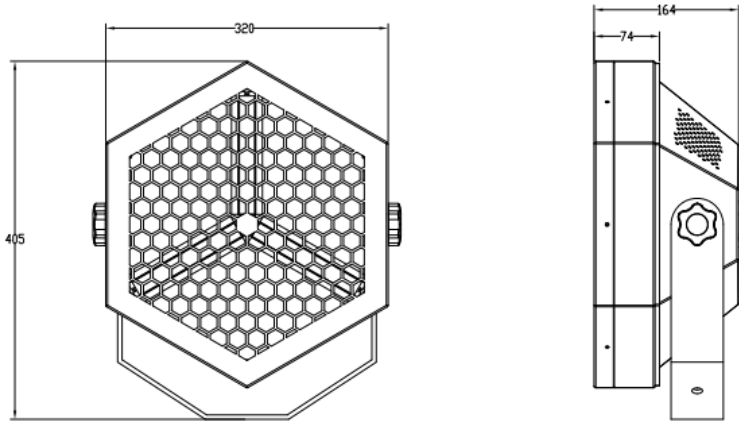
Channel	Function	From	To	Feature
1	Dimmer	0	255	Brightness 1—100%
2	Red	0		No function
		1	255	Red 1—100%
3	Green	0		No function
		1	255	Green 1—100%
4	Blue	0		No function
		1	255	Blue 1—100%
5	LED1	0		No function
		1	255	Brightness 1—100%
6	LED2	0		No function
		1	255	Brightness 1—100%
7	LED3	0		No function
		1	255	Brightness 1—100%
8	Strobe	0	3	No function
		4	7	Dimmer
		8	76	Synchronizing strobe; Strobe from slow to fast
		77	145	Pulse strobe ; Strobe from slow to fast
		146	215	Random strobe ; strobe from slow to fast
		216	255	Dimmer
9	Program Num 1			7 Built-in Pro.
10	Program Num 2			8 Built-in Pro.
11	Program Speed	0	255	Program Speed, from slow to fast
12	Sound Control	0	15	No function
		15	255	Sensitivity goes up

**Note:Dimmer need to be on 1CH (Dimmer) and 8CH (Strobe) at the same time.**



## Product Dimension Drawing

As below :



## Technical Parameter Diagram

Technical Parameter Diagram :

Item	Technical Parameter
Work voltage	110V-240V 50/60HZ
Power consumption	210 W
Light source	3×60W LED + 48×0.5W LED
DMX channel	6CH / 8CH /12CH
Control Mode	Auto-run , Sound control ,DMX control
Color temperature	2200K
Dimension	405×320×164 MM
Wight	5.3 Kg
Packing	Carton /1pcs